

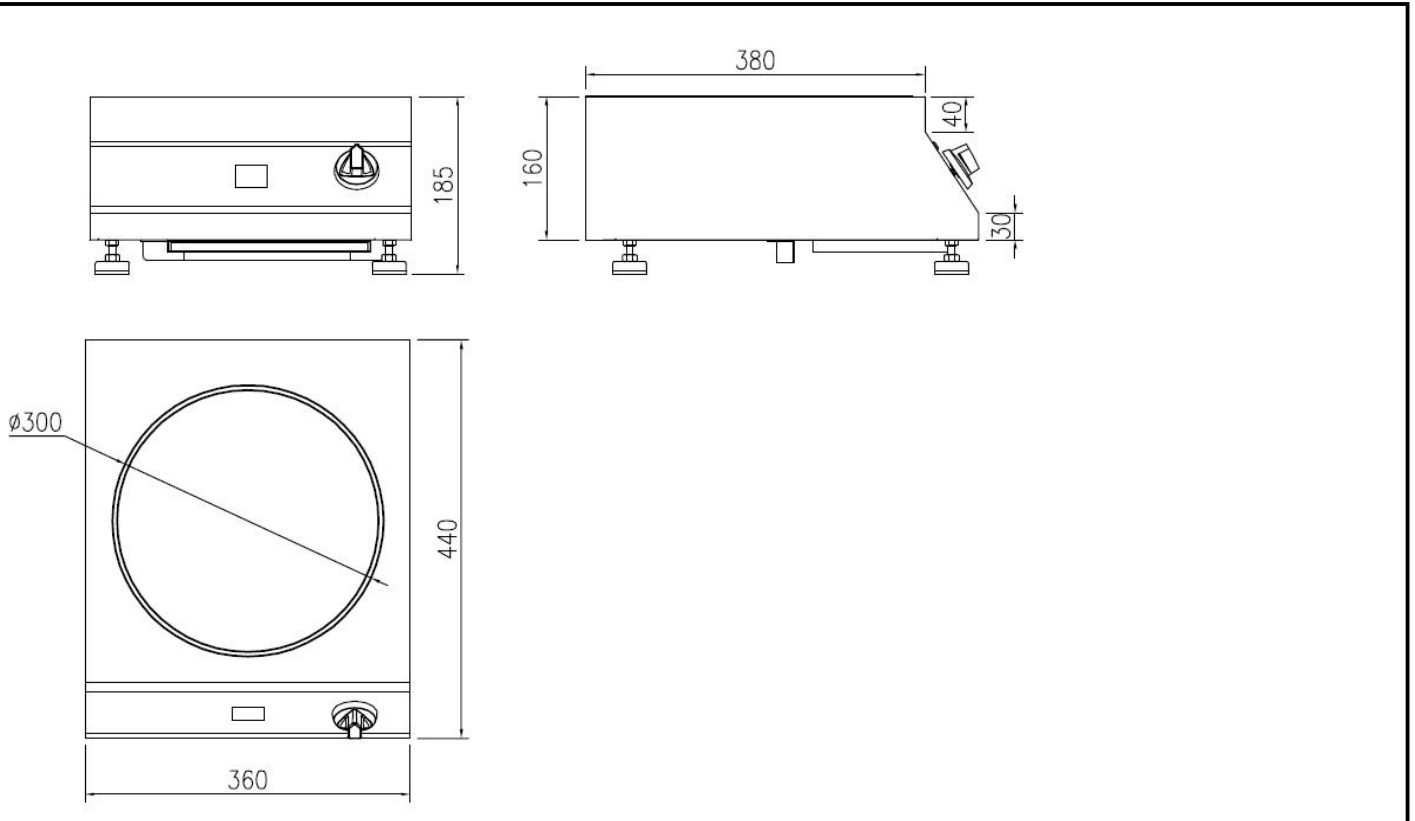


Product Name	Commercial Single Hob Induction Table Wok Tops	Quantity		Item#	
 					
<p>Standard Features</p> <ul style="list-style-type: none"> ● Over 90% energy efficiency rate . ● Simple control: use the power control knob to switch on/off, ● Turn the power control knob to make step-less power regulation ● The LED indicator will show the power level and also in case of error, it will show the error code enabling user to diagnose and correct minor problems ● Integral grease filter to ensure clean air intake ● Internal cooling fan to keep internal electronics cool ● Automatic pan detection provides instant energy transmission to pan and automatic switch off when pan is not present. ● Automatic power adjustment when ambient temperature rises too high or in case of empty pan heating to prevent overheating ● Easy to clean high-impact glass-ceramic top surface ● Pan characterization feature measures pan almost instantly to allow unit to supply optimal power to each pan at every setting ● Compact design for easy portable plug and play around the kitchen ● Germany TUV-Rheinland CE approved 					
<p>Qingdao Middleby Induction Co., Ltd.</p> <p>9 Xinghai Road, Huanhai Economical Development Zone,</p>				<p>Phone: +86532-8667-2001</p> <p>Fax : +86532-8667-2003</p>	



Specifications

Model Number	IND-13W-3000	
Power Requirements	220V-240V AC, 50/60Hz	
Power Consumption	3,000W(MAX)	
BTU Comparison	26,500BTU	
Amperage	13A(MAX)	
Ceran Glass	Φ300 SCHOTT Ceran Glass	
Housing Material	SUS304, T=1.5mm	
Dimensions(mm)	360*440*185	
Weight(kg)	13(With Wok)	
Packaged Dimensions(mm)	590*470*380	
Packaged Weight(kg)	15(With Wok)	
Power Cord Length(mm)	1800	
Plug Type	UK Plug/15A	
Warranty	1 year	

Qingdao Middleby Induction Co., Ltd.

Phone: +86532-8667-2001

9 Xinghai Road, Huanhai Economical Development Zone,

Fax : +86532-8667-2003