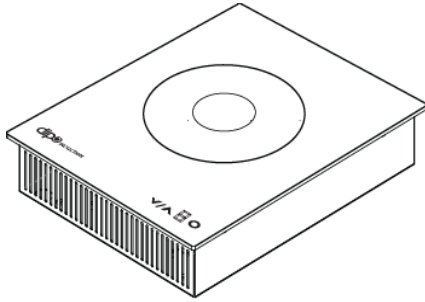
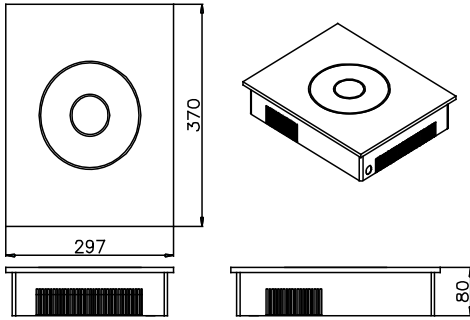


**TABLE DROP-IN**



\* Metal Case/ EMC



DESCRIPTION	
<b>Part No.</b>	<b>BKT26-E</b>
<b>Operating Voltage</b>	208/240V , 50/60Hz 1PH
<b>Power Consumption</b>	Max Output: 2600W
<b>Amperage</b>	Total: 12A
<b>Heating Power Setting</b>	Warming: 2 Steps (1,2) Cooking: 7 Steps
<b>Dimension (mm)</b>	Product: 297*370*80 , Packing: 350*425*165
<b>Weight</b>	4
<b>Control Method</b>	Touch
<b>Product Type</b>	Built-in
<b>Cookware Diameter</b>	Min: $\varnothing$ 130 mm , Max: $\varnothing$ 240 mm
<b>Loadable Weight (kg)</b>	Max. 30
<b>Time Required for Boiling Water</b>	<b>Capacity</b>
	<b>Time</b>
<b>Note</b>	<b>5L (10 portions)</b>
	<b>10L (20 portions)</b>
<b>Note</b>	<b>15L (30 portions)</b>
	<b>Note</b>
<b>Main Function</b>	<input checked="" type="checkbox"/> <b>Safety</b>
	- Over-current indication: Error E1
	- Over-voltage indication: Error E2 (above 260V)
	- Low-voltage indication: Error E3 (below 180V)
<b>Comparison</b>	- Product super-heating indication: Error E4 (internal temperature above 80°C )
	- Top overheating indication: Error E6 (above 230°C)
	<input checked="" type="checkbox"/> <b>Warming:</b> H1 ~ H7 (35°C ~ 90°C)
	<input checked="" type="checkbox"/> <b>Cooking:</b> 1 ~ 10 (same applies to both of 2 holes)
<b>Comparison</b>	<b>Item</b>
	<b>Induction (1 hole)</b>
	<b>City Gas (1 hole)</b>
	<b>kw</b>
<b>After-Sales Service</b>	<b>kcal/h</b>
	<b>kcal/h</b>
	<b>1-year warranty (to be charged in case of consumer's negligence)</b>

**IMPLEMENTATION**

**Application Examples**

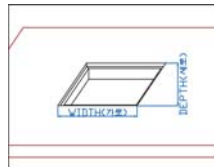


**Product Use**

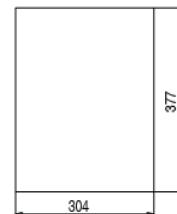
- For Shabu-Shabu, stew, blowfish soup etc which requires strong heating power
- No heat coming out of the product itself; pleasant indoor environment, cooling cost down
- Easy cleaning; maintaining table area always neat; labor cost down

※ Remarks

1. Table Built-in (in case of self-bending)



2. Hole-punching size for stainless guide (\*guide sold separately)



\* Please be advised that it's necessary to keep 10cm of distance from the front/rear side of the unit

