

Hermes®



DRINKING MACHINERY & BAR COUNTER

★★★★★



Frozen Creamy Machine

Stainless steel exterior and interior .

Stainless steel door handle.

Imported compressor from Europe, removable drop-in air cooling system.

H365 insulation foam, Ozone friendly.

Sensitive intelligent control panel.

Automatic defrosting by hot gas and condensate water evaporate automatically

Poly coated Evaporator to prevent corrosion and ensure food safety.

Self close full solid door, half solid door, drawer and glass door with lock or without lock are available.

The door can be changed to drawers ONLY for chillers at customer' s choice

Interchangeable door can meet the customers' demand, left handed or right handed.

With removable heating wire for the door frame and door gasket, easy cleaning and repairing.

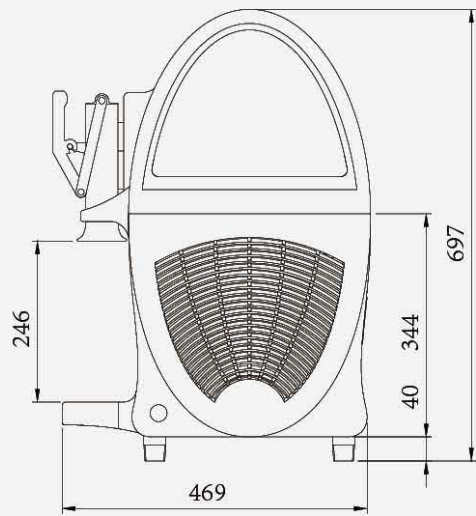
GN design, available for 2/1GN pan, 1/1GN pan or poly coated wire shelf and

Heavy duty S/S support bracket and pan guide are removable.

Round corner design inside the refrigerator, easy to clean.

With adjustable feet at European style as standard, also the castors are available upon request.

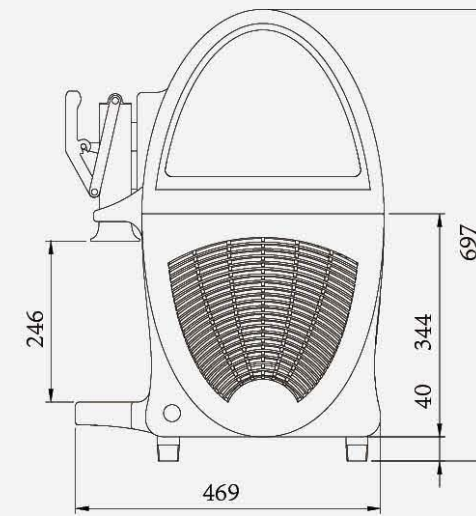
Specification



Model No.		MyYogurt-1S
Performance	Dimensions (mm)	310*480*700(with light box)
	Performance Temp.	0~-7°C /+32~+19.4 °F
	Capacity(L)	6
Electrial	Watts(W)	430
	Amps(A)	2.7
	Hp.of compressor(W)	1/4
Shipping	Net weight(Kgs)	32
	Gross Weight(Kgs)	48.5
	Q'ty/ 20'GP	88
	Q'ty/ 40'GP	192



Specification



Model No.		MyYogurt-2S
Performance	Dimensions (mm)	540*480*700(with light box)
	Performance Temp.	0~-7°C /+32~+19.4 °F
	Capacity(L)	6+6
Electrial	Watts(W)	685
	Amps(A)	4.5
	Hp.of compressor(W)	1/2
Shipping	Net weight(Kgs)	49
	Gross Weight(Kgs)	68
	Q'ty/ 20'GP	64
	Q'ty/ 40'GP	128



Hermes®



Slush Machine

Compact and luxurious in design.

Advanced electronic temperature controller with a digital display that indicated the temperature of the beverages.

High quality in Compressor and wonderful working performance.

LED light in illumination.

#304 stainless steel chassis and ABS panels.

Food-grade high density polycarbonate bowl, healthy and environmental protection.

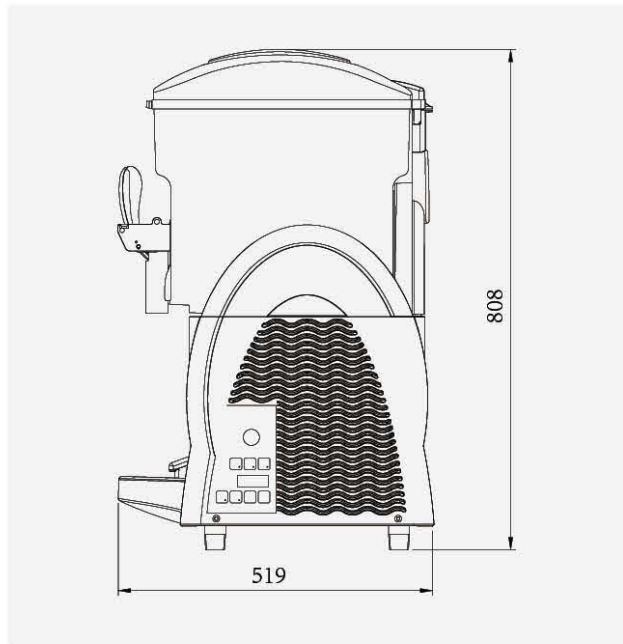
Drip tray with float indicator warning when full.


Bowl and faucet easy to disassemble for quick cleaning and utmost hygiene.

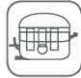
Certificates available CE, ETL, ROHS, etc.


Voltage and cycles upon request.


SLUSH MACHINE





- 


Advanced electronic temperature controller with a digital display that indicated the temperature of the beverages.
- 


High quality in Compressor and wonderful working Performance
- 

LED light in illumination.
- 

#304 stainless steel chassis and ABS panels.
- 

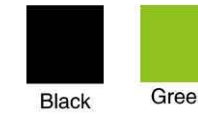
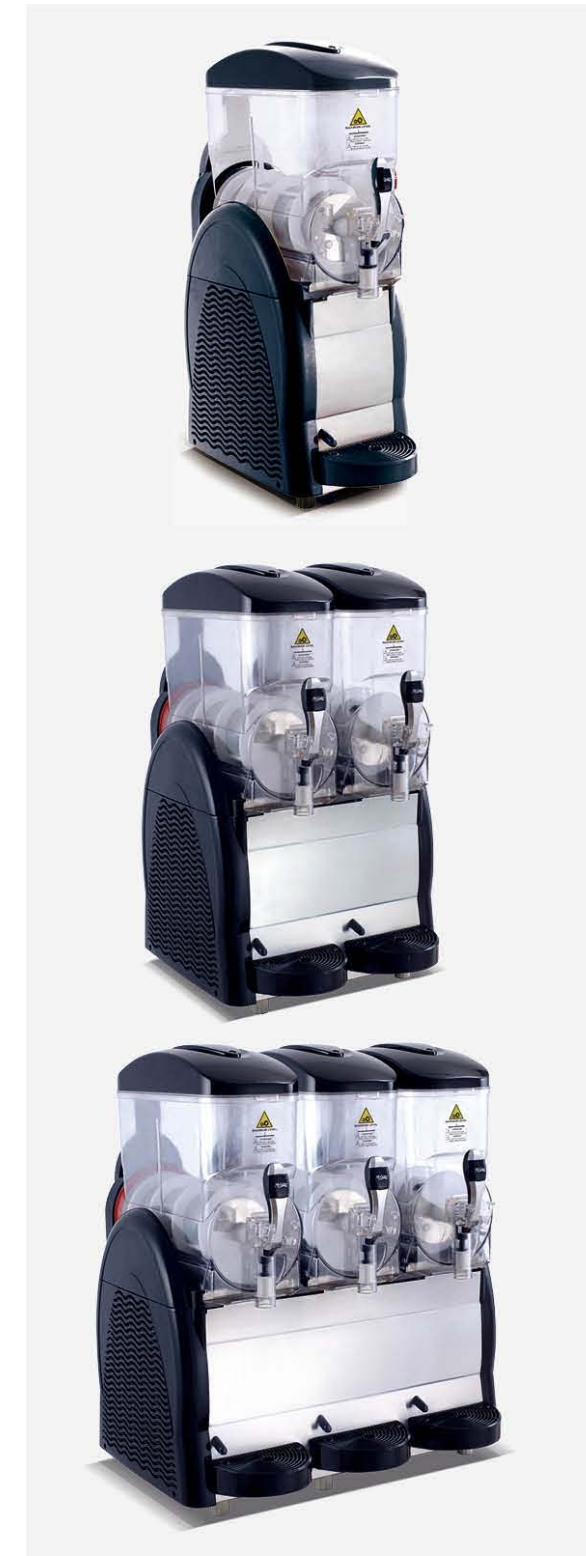
Food-grade high density polycarbonate bowl, healthy and environmental protection.
- 

Drip tray with float indicator warning when full.
- 

Bowl and faucet easy to disassemble for quick cleaning and utmost hygiene.
- 

Voltage and cycles upon request

Specification



Model No.		MyGranita-1S
Performance	Dimensions (mm)	270*510*810
	Performance Temp.	-2~-7°C /+28.4~+19.4 °F
	Capacity(L)	12
Electrial	Watts(W)	420
	Amps(A)	2.60
	Hp.of compressor(W)	1/4
Shipping	Net weight(Kgs)	32
	Gross Weight(Kgs)	38
	Q'ty/ 20'GP	136
	Q'ty/ 40'GP	288

Model No.		MyGranita-2S
Performance	Dimensions (mm)	470*510*810
	Performance Temp.	-2~-7°C /+28.4~+19.4 °F
	Capacity(L)	12+12
Electrial	Watts(W)	920
	Amps(A)	5.40
	Hp.of compressor(W)	3/4
Shipping	Net weight(Kgs)	559.6
	Gross Weight(Kgs)	66
	Q'ty/ 20'GP	80
	Q'ty/ 40'GP	168

Model No.		MyGranita-3S
Performance	Dimensions (mm)	670*510*810
	Performance Temp.	-2~-7°C /+28.4~+19.4 °F
	Capacity(L)	12+12+12
Electrial	Watts(W)	1180
	Amps(A)	5.80
	Hp.of compressor(W)	1
Shipping	Net weight(Kgs)	78
	Gross Weight(Kgs)	85
	Q'ty/ 20'GP	64
	Q'ty/ 40'GP	128

Hermes®



Juice Dispenser

Food-grade high density polycarbonate bowl, unbreakable

#304 Stainless steel evaporator

Stainless Steel Tap Lever

Middle or High back pressure hermetic compressor, Low noise less than 55db

#304 stainless steel chassis and panels

R134a Gas, Ozone Friendly

Paddle Stirring System

Four color available for choice, Yellow, Green, Light Grey and Milk white

Voltage and cycles upon request

Juice Dispenser With Paddle Stirring System

Specification



Paddle stirring

Model No. Corolla-1S

Performance	Dimensions (mm)	230*430*640
	Performance Temp.	+3~+8°C /+37.4~46.4 °F
	Capacity(L)	12

Electrial	Watts(W)	268
	Amps(A)	1.94
	Hp.of compressor(W)	1/5

Shipping	Net weight(Kgs)	20
	Gross Weight(Kgs)	22
	Q'ty/ 20'GP	192
	Q'ty/ 40'GP	408

Model No. Corolla-2S

Performance	Dimensions (mm)	430*430*640
	Performance Temp.	+3~+8°C /+37.4~46.4 °F
	Capacity(L)	12+12

Electrial	Watts(W)	291
	Amps(A)	2.11
	Hp.of compressor(W)	1/5

Shipping	Net weight(Kgs)	28
	Gross Weight(Kgs)	31
	Q'ty/ 20'GP	120
	Q'ty/ 40'GP	252

Model No. Corolla-3S

Performance	Dimensions (mm)	630*430*640
	Performance Temp.	+3~+8°C /+37.4~46.4 °F
	Capacity(L)	12+12+12

Electrial	Watts(W)	356
	Amps(A)	2.58
	Hp.of compressor(W)	1/5+

Shipping	Net weight(Kgs)	36
	Gross Weight(Kgs)	40
	Q'ty/ 20'GP	93
	Q'ty/ 40'GP	189



Juice Dispenser With Pump Spraying System

Specification



Pump spraying

Model No. Royal-1P

Performance	Dimensions (mm)	230*430*640
	Performance Temp.	+3~+8°C /+37.4~46.4 °F
	Capacity(L)	12

Electrial	Watts(W)	284
	Amps(A)	2.06
	Hp.of compressor(W)	1/5

Shipping	Net weight(Kgs)	20
	Gross Weight(Kgs)	23
	Q'ty/ 20'GP	192
	Q'ty/ 40'GP	408

Model No. Royal-2P

Performance	Dimensions (mm)	430*430*640
	Performance Temp.	+3~+8°C /+37.4~46.4 °F
	Capacity(L)	12+12

Electrial	Watts(W)	323
	Amps(A)	2.34
	Hp.of compressor(W)	1/5

Shipping	Net weight(Kgs)	29
	Gross Weight(Kgs)	32
	Q'ty/ 20'GP	120
	Q'ty/ 40'GP	252

Model No. Royal-3P

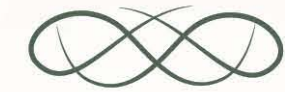
Performance	Dimensions (mm)	630*430*640
	Performance Temp.	+3~+8°C /+37.4~46.4 °F
	Capacity(L)	12+12+12

Electrial	Watts(W)	404
	Amps(A)	2.93
	Hp.of compressor(W)	1/5+

Shipping	Net weight(Kgs)	36
	Gross Weight(Kgs)	40
	Q'ty/ 20'GP	93
	Q'ty/ 40'GP	189



Hermes®



Hot Chocolate Dispenser

Good in quality and lovely design.

Bain-marie heating system with a wide controlled range of temperature +65 Celsius to +90 Celsius.

Thermostat for adjusting temperature as required

Continuous stirring maintains a perfect, lump-free consistency

Special "anti-clogging" faucet

#304 Stainless steel boiler with thermal protector

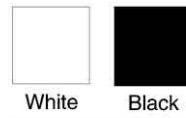
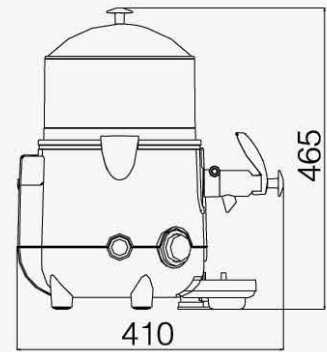
Food-grade high density polycarbonate bowl, remove and clean easily.

Drip tray with float indicator warning when full.

Certificates available CE, ETL, ROHS, etc.

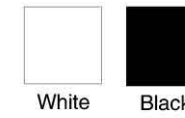
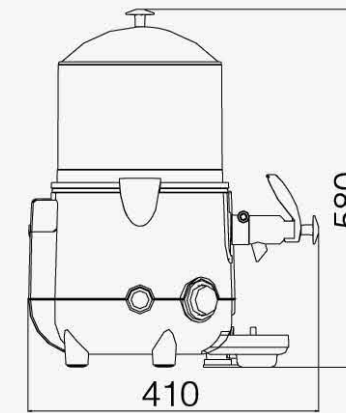
Voltage and cycles upon request.

Specification



Model No.	Chocofariy-5L	
Performance	Dimensions (mm)	410*280*460
	Performance Temp.	+65~+85°C /+149~+185 °F
	Capacity(L)	5
Electrial	Watts(W)	1006
	Amps(A)	4.37
	Hp.of compressor(W)	
Shipping	Net weight(Kgs)	6.9
	Gross Weight(Kgs)	8.4
	Q'ty/ 20'GP	360
	Q'ty/ 40'GP	768
	Q'ty/ 40'HQ	960

Specification



Model No.	Chocofariy-10L	
Performance	Dimensions (mm)	410*280*580
	Performance Temp.	+65~+85°C /+149~+185 °F
	Capacity(L)	10
Electrial	Watts(W)	1006
	Amps(A)	4.37
	Hp.of compressor(W)	
Shipping	Net weight(Kgs)	7.5
	Gross Weight(Kgs)	9.1
	Q'ty/ 20'GP	270
	Q'ty/ 40'GP	576
	Q'ty/ 40'HQ	768

Hermes®



Beer Showcase Freezer

Compact and luxurious in design.

Advanced electronic temperature controller with a display that indicated the temperature of the beverages.

High quality in Compressor and wonderful working performance.

LED light illumination.

#304 Stainless steel boiler with thermal protector

Food-grade high density polycarbonate bowl, remove and clean easily.

Drip tray with float indicator warning when full.

Bowl and faucet easy to disassemble for quick cleaning and utmost hygiene.

Certificates available CE, ETL, ROHS, etc.

Voltage and cycles upon request.

BEER SHOWCASE FREEZER



Operational range -1~-8°C



Fan cooling refrigeration system



Finned evaporator, fast cooling speed



Frost free system



Convenient service (pull-out whole condensing unit)



Suitable refrigerant for the protection of environment R134a



Double pane heated glass door assemblies, self-closing door



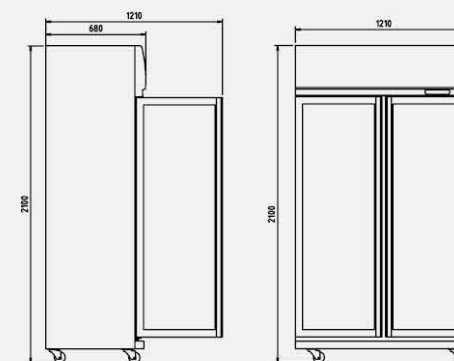
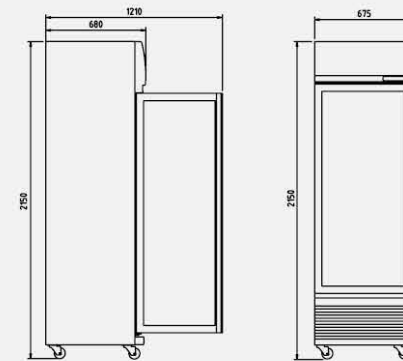
Automatic defrost system time-initiated, temperature terminated, saves energy consumption and provides shortest possible defrost cycle



Voltage and cycles upon request



Specification



Model No.		AK-LG-480BC
Performance	Dimensions (mm)	675*670*2150
	Performance Temp.	-1~-8°C /+30.2~17.6 °F
	Capacity(L)	268
	Shelf	4
Electrial	Watts(W)	510
	Amps(A)	2.3
Shipping	Net weight(Kgs)	84
	Gross Weight(Kgs)	88
	Q'ty/ 20'GP	60
	Q'ty/ 40'GP	80
	Q'ty/ 40'HQ	97

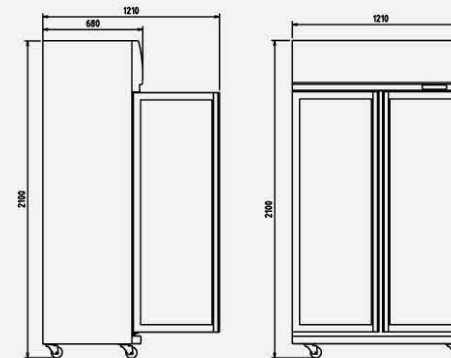
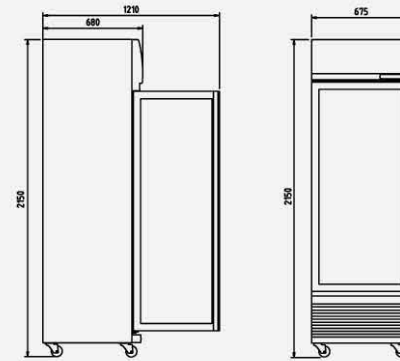
Model No.		AK-LG-1050BC
Performance	Dimensions (mm)	1210*680*2100
	Performance Temp.	-1~-8°C /+30.2~17.6 °F
	Capacity(L)	465
	Shelf	8
Electrial	Watts(W)	522
	Amps(A)	2.4
Shipping	Net weight(Kgs)	115
	Gross Weight(Kgs)	120
	Q'ty/ 20'GP	20
	Q'ty/ 40'GP	40
	Q'ty/ 40'HQ	51

SHOWCASE REFRIGERATOR



- 
Operational range +2~+8°C
- 
Fan cooling refrigeration system
- 
Finned evaporator, fast cooling speed
- 
Frost free system
- 
Convenient service (pull-out whole condensing unit)
- 
Suitable refrigerant for the protection of environment R134a
- 
Double pane heated glass door assemblies, self-closing door
- 
Automatic defrost system time-initiated, temperature terminated, saves energy consumption and provides shortest possible defrost cycle
- 
Voltage and cycles upon request

Specification



Model No.		AK-LG-480
Performance	Dimensions (mm)	675*670*2150
	Performance Temp.	+2~+8°C /+35.6~+46.4 °F
	Capacity(L)	268
	Shelf	4
Electrial	Watts(W)	510
	Amps(A)	2.3
Shipping	Net weight(Kgs)	84
	Gross Weight(Kgs)	88
	Q'ty/ 20'GP	60
	Q'ty/ 40'GP	80
	Q'ty/ 40'HQ	97

Model No.		AK-LG-1050
Performance	Dimensions (mm)	1210*680*2100
	Performance Temp.	+2~+8°C /+35.6~+46.4 °F
	Capacity(L)	465
	Shelf	8
Electrial	Watts(W)	522
	Amps(A)	2.4
Shipping	Net weight(Kgs)	115
	Gross Weight(Kgs)	120
	Q'ty/ 20'GP	20
	Q'ty/ 40'GP	40
	Q'ty/ 40'HQ	51