



www.santos.fr

**NEW GENERATION
CENTRIFUGAL JUICE EXTRACTOR**
"Miracle Edition" #68

Best performance

Unsurpassed reliability

Extreme simplicity



NEW

*Miracle Edition: **THE DREAM COMESTRUE**
THE BEST JUICER THE MARKET HAS EVER HAD
Our goal: to offer the must-have appliance to juice bars specialists!*

Internationally patented models

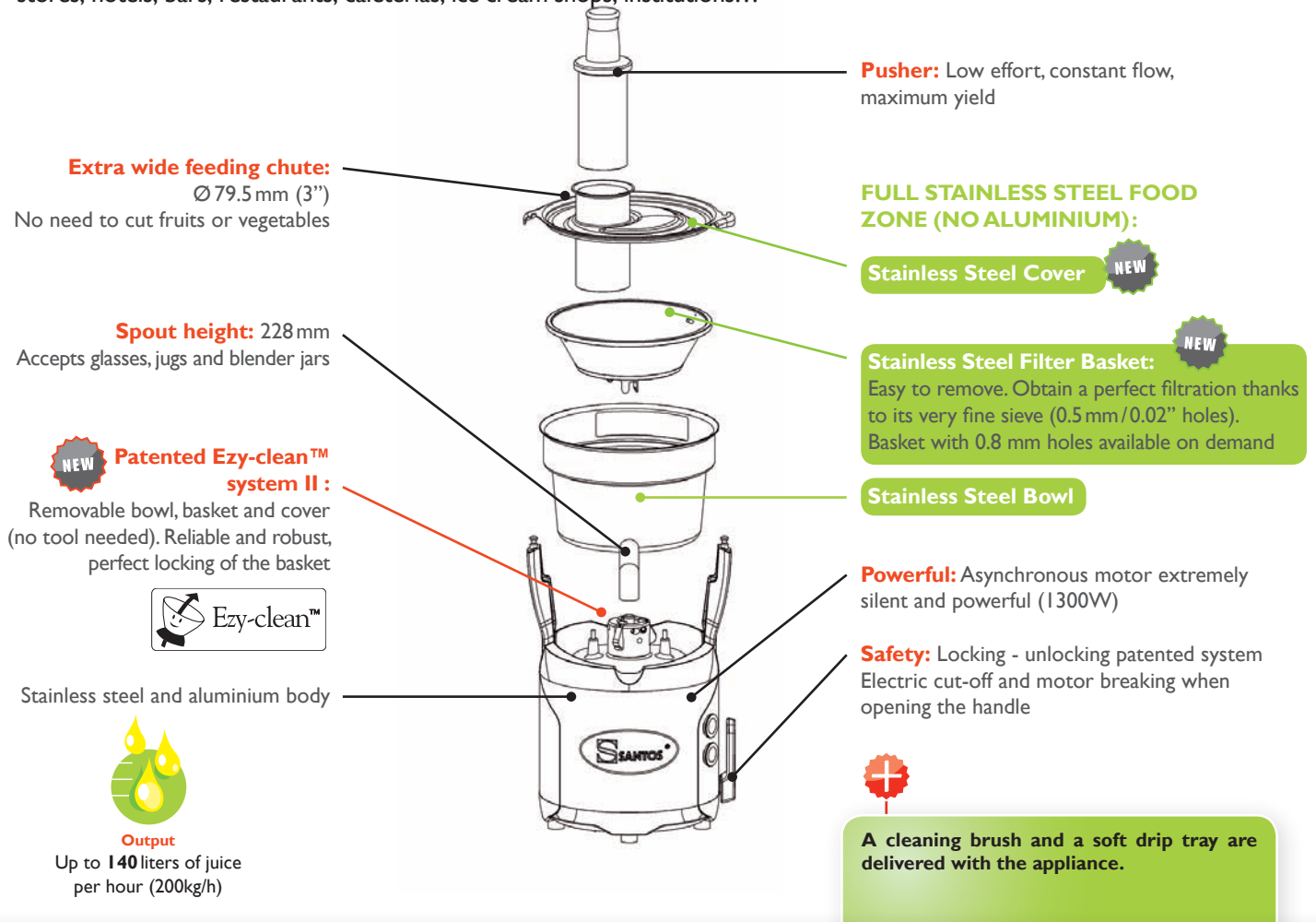




NEW GENERATION CENTRIFUGAL JUICE EXTRACTOR "Miracle Edition" #68

NEW DESIGN FOR MORE EFFICIENCY

The centrifugal juice extractor "Miracle Edition" #68 is the result of Santos 60 years worldwide experience. The Miracle Edition offers you high efficiency with an innovative design. More powerful, more robust and easier to clean, this new generation juice extractor is dedicated to juice bars, health food stores, hotels, bars, restaurants, cafeterias, ice cream shops, institutions...



THE FULL JUICE BAR SOLUTION

Santos is the specialist of the professional juicing since 1954 and the only manufacturer in the world to provide **THE FULL JUICE BAR SOLUTION:** Citrus Juicers + Juice Extractors + Blenders!



Santos
Worldwide leader in commercial juicers

"EZY-CLEAN™ SYSTEM II" #68



RELIABILITY, STURDINESS, PERFORMANCE

www.santos.fr

- **Full stainless steel food-zone:** no aluminium
- **Easiness:** new generation patented **Ezy-Clean System II** which saves your time (you can easily remove the cover, bowl and basket thanks to their new ergonomics). Extremely sturdy: no plastic in the shifter area.
- **Comfort:** no need to cut apples, carrots, tomatoes... thanks to the wide feeding chute (Ø79.5 mm)
- Even more efficiency: **output up to 140 l/h**, motor and baskets are calibrated, rotating at the ideal speed to extract a maximum juice
- **Perfect filtration** high quality juice without any fruit pulp, even for intensive use
- **Preservation of vitamins:** keeps all the vitamins from fruits and vegetables.



Juice bar version #68J:

This juicer is **delivered with a pulp tube**, which goes directly through your counter to the waste collector below.



Chefs and Patisserie kit #68 I I 0:

Filtration basket with 0.8mm holes, for more creamy coulis, and for fiber fruits (ex: pineapple)

- **1 wide feed tray** to place fragile fruits, or pour liquid preparations...



TECHNICAL SPECIFICATIONS



Motor

Single phase: 100-120V – 50/60 Hz – 1300 W CE, NSF
220-240V – 50/60 Hz – 1300 W CE, NSF

Speed: 3 000 rpm (50 Hz)
3 600 rpm (60 Hz)



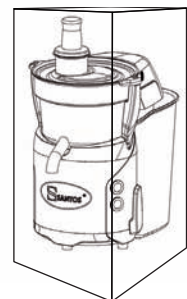
Weight

Net: 25Kg (55 lbs)
Shipping: 28 Kg (62 lbs)



APPLIANCE

W: 330 mm / 13"
D: 562 mm / 22"
H: 606 mm / 24"



SHIPPING BOX

W: 390 mm / 15,4"
D: 660 mm / 26"
H: 600 mm / 23.6"

SAFETY, STANDARDS, HYGIENE

In accordance with the following regulations

- Machinery directive 2006/42/EC
- Electromagnetic compatibility 2004/108/EC
- Electrical equipment designed for use within certain voltage limits "low voltage" 2006/95/EC
- RoHS directive 2002/95/EC
- Regulation 1935/2004/EC (contact with food)

Harmonized European standards

- EN ISO 12100 - 1 and 2: 2004
- EN 60204-1: 2006
- EN 12547+A1: 2009 Juice extractors
- EN 60335-2-64: 2004 Commercial electric kitchen machines

CE (European standards), NSF (USA)

Thermal safety

Motor protected by thermal detector and overload protector.

Electrical safety

- On/ off switch detects no voltage.
- All mechanical parts are ground connected.
- Appliances are 100% tested after assembly.

Acoustic safety

Silent asynchronous motor.

Mechanical safety

A friction brake immediately stops the basket when opening the handle.

Hygiene

All removable parts can be put in a dishwasher or easily cleaned with hot soapy water.

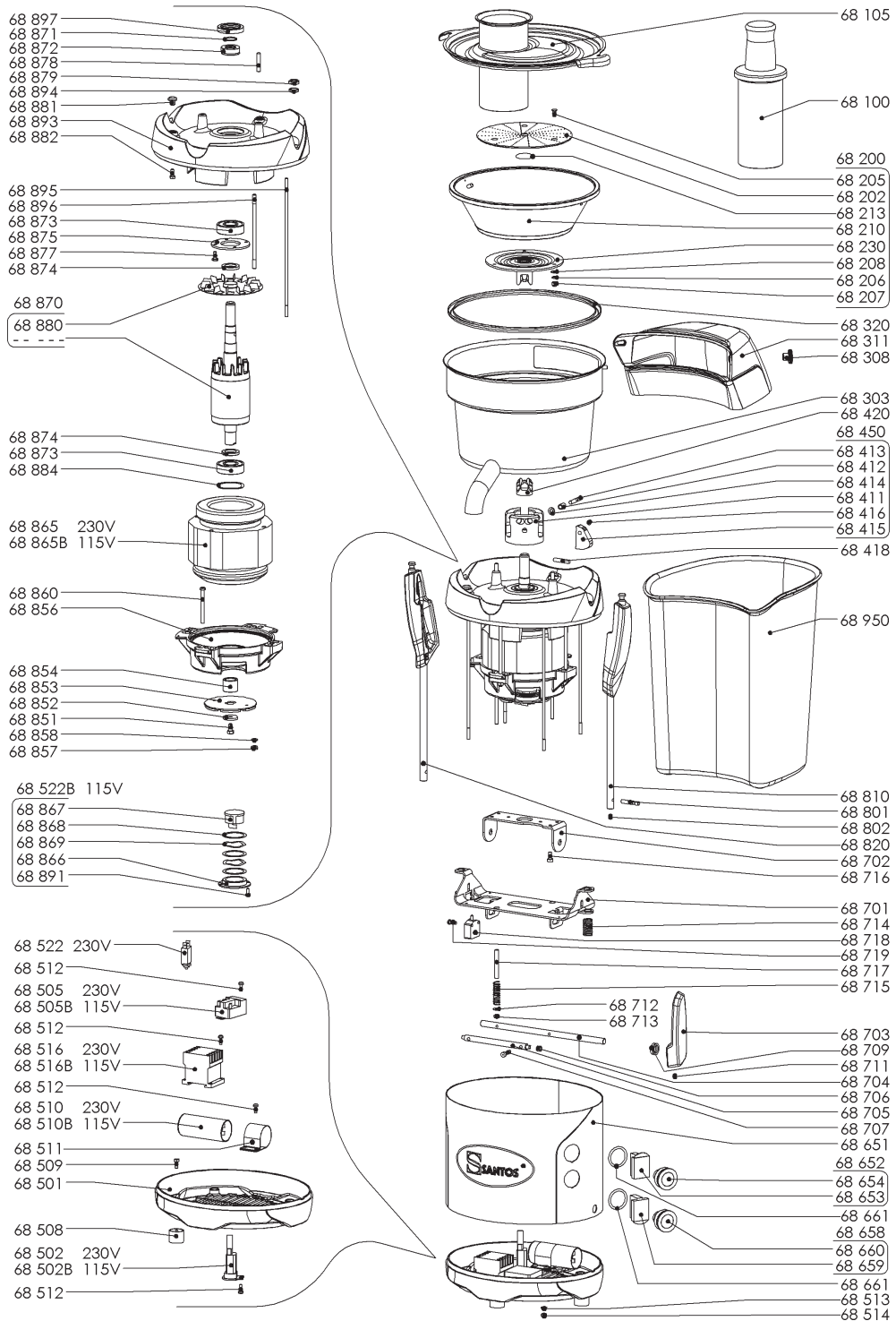
PRODUCT: 2-YEAR WARRANTY | MOTOR: 5-YEAR WARRANTY

NEW GENERATION CENTRIFUGAL JUICE EXTRACTOR

"Miracle edition" #68



www.santos.fr



SANTOS

140-150, avenue Roger Salengro - 69120 VAULX-EN-VELIN (Lyon) - FRANCE - Tel. +33 472 37 35 29 – Fax +33 478 26 58 21

Website: www.santos.fr – Email: santos@santos.fr

04/2014 - V2